



iCF 1ME

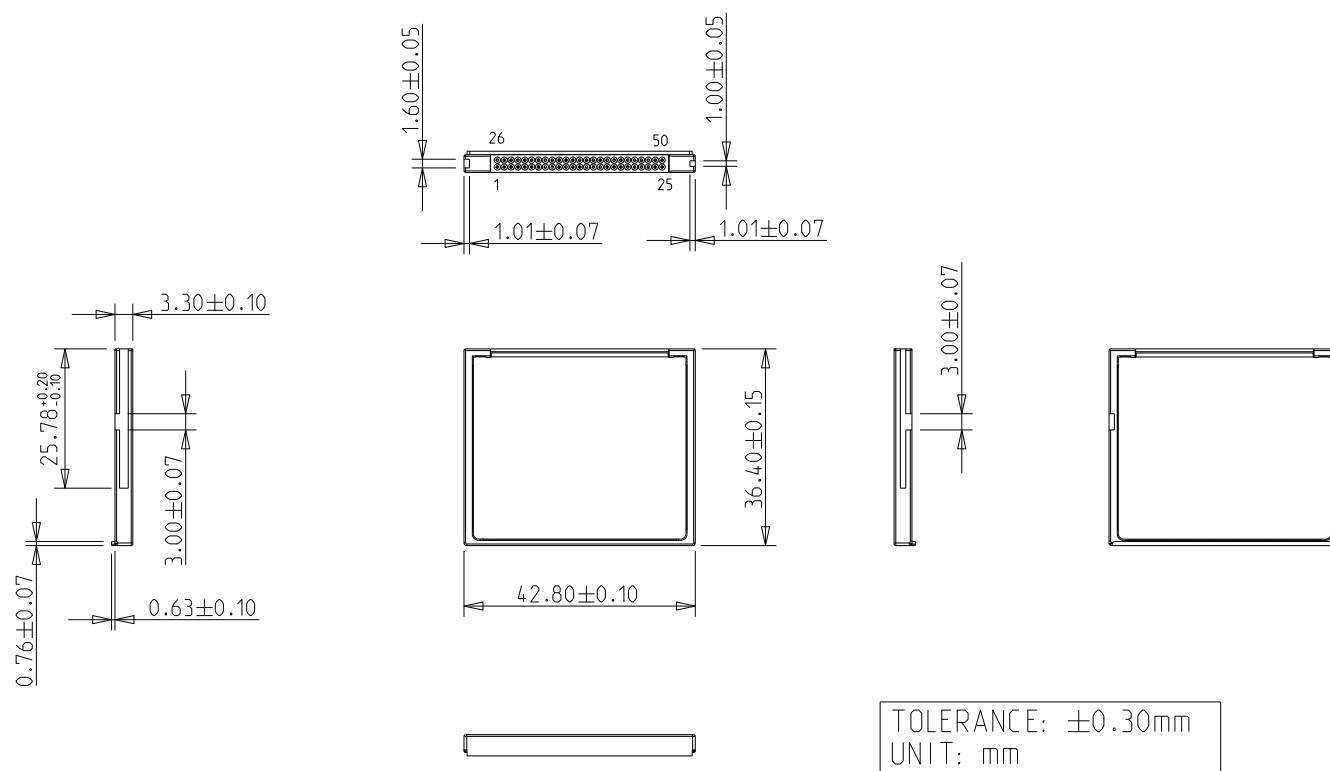
HIGHLIGHT FEATURES

- iSMART disk health monitoring
- Compliant with E-Mark / SAE J113 / ISO 7673-2
- Intelligent error recovery system
- Excellent data transfer speed
- Enhanced power cycling management

SPECIFICATIONS

Model Name	iCF 1ME
Flash Type	MLC
Interface	PATA
Form Factor	CompactFlash (CF Card)
Capacity	8GB ~ 256GB
Sequential R / W (MB/sec, max.)	110 / 110
P/E Cycle	3,000
TBW (Max.)	75
Storage Temperature	-55°C ~ 95°C
Max. Power Consumption	0.8W
Max. Channels	2
External DRAM Buffer	N
H/W Write Protect	Y
S.M.A.R.T.	Y
AES	N
TCG Opal	N
Dimension (W x L x H/mm)	42.8 x 36.4 x 3.3
Vibration	20G@[7 ~ 2000Hz]
Shock	1500G@0.5ms
MTBF	>3 million hours
Warranty	2 Years

DIAGRAM



ORDER INFO.

Operating Temperature	Standard Grade (0°C ~ 70°C)	Industrial Grade (-40°C ~ 85°C)
8GB	DECFC-08GD53BC2SC	DECFC-08GD53BW2SC
16GB	DECFC-16GD53BC2&C	DECFC-16GD53BW2&C
32GB	DECFC-32GD53BC2DC	DECFC-32GD53BW2DC
64GB	DECFC-64GD53BC2DC	DECFC-64GD53BW2DC
128GB	DECFC-A28D53BC2DC	DECFC-A28D53BW2DC
256GB	DECFC-B56D53BC2DC	DECFC-B56D53BW2DC

& S : 1 channel / D : 2 channels

HQ (Taiwan) T +886-2-7703-3000 / E sales@innodisk.com

CN T +86-755-2167-3689 / E sales_cn@innodisk.com

US T +1-510-770-9421 / E usasales@innodisk.com

EU T +31-40-3045-400 / E eusales@innodisk.com

JP T +81-3-6667-0161 / E jp_sales@innodisk.com

innodisk