

## 2.5" SATA SSD 3IE7

### HIGHLIGHT FEATURES

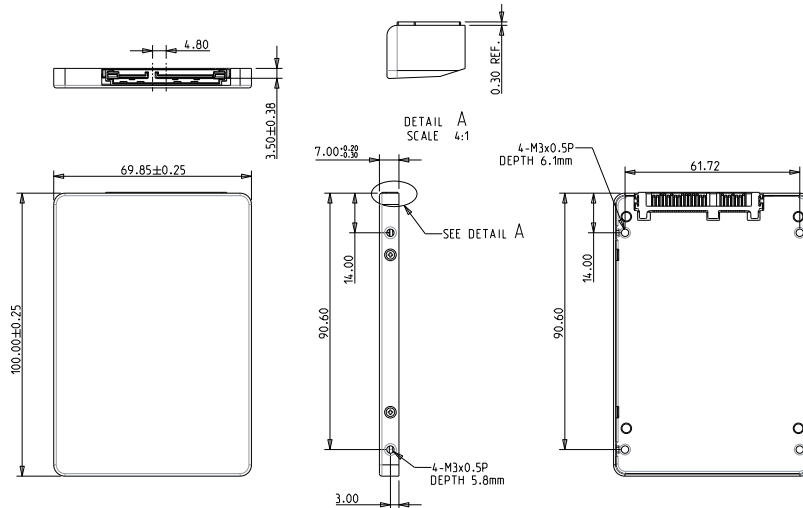
- Up to 100K P/E cycle, extending the lifespan by 33x
- Equipped with 112-layer 3D TLC NAND Flash
- Utilizes Ultra iSLC Technology
- Supports temperatures -40°C to 85°C
- 5-year warranty

### SPECIFICATIONS

Model Name	2.5" SATA SSD 3IE7
Flash Type	iSLC (3D TLC)
Interface	SATA III 6.0 Gb/s
Form Factor	2.5" SSD
Capacity	40GB ~ 640GB
Sequential R / W (MB/sec, max.)	550 / 520
P/E Cycle	30,000 / 100,000
TBW (Max.)	40,000
Storage Temperature	-40°C ~ 85°C
Max. Power Consumption	3.3W
Max. Channels	4
External DRAM Buffer	N
H/W Write Protect	Y (Optional)
S.M.A.R.T.	Y
AES	Y (Optional)
TCG Opal	N
Dimension (W x L x H/mm)	69.8 x 100.0 x 6.8
Vibration	20G@[7 ~ 2000Hz]
Shock	1500G@0.5ms
MTBF	>3 million hours
Warranty	5 Years

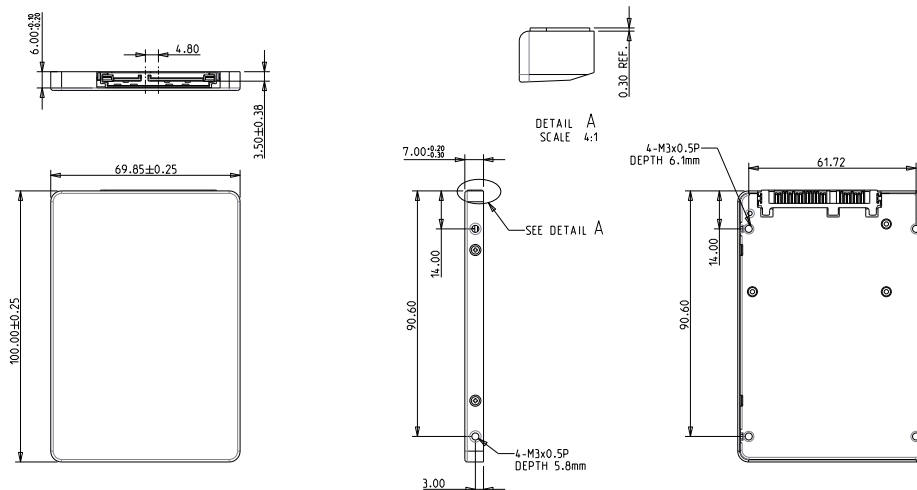
## DIAGRAM

## Full PCB



TOLERANCE: ±0.30mm  
UNIT: mm

## Slim inside



TOLERANCE: ±0.30mm  
UNIT: mm

## ORDER INFO.

Operating Temperature	Standard Grade (0°C ~ 70°C)	Industrial Grade (-40°C ~ 85°C)
40GB	DHS25-40GDK1%CCDL	DHS25-40GDK1%WCDL
80GB	DHS25-80GDK1%CCQL	DHS25-80GDK1%WCQL
160GB	DHS25-A60DK1%CCQL	DHS25-A60DK1%WCQL
320GB	DHS25-D2GDK1%C*QL	DHS25-D2GDK1%W*QL
640GB	DHS25-F4GDK1%C*QL	DHS25-F4GDK1%W*QL

% G : 96 layers 3D TLC / K : 112 layers 3D TLC

\*. PCB version control

HQ (Taiwan) T +886-2-7703-3000 / E sales@innodisk.com

CN T +86-755-2167-3689 / E sales\_cn@innodisk.com

US T +1-510-770-9421 / E usasales@innodisk.com

EU T +31-40-3045-400 / E eusales@innodisk.com

JP T +81-3-6667-0161 / E jp\_sales@innodisk.com

innodisk