



EGPL-T203

M.2 2280 to Dual 10GbE LAN Module

HIGHLIGHT FEATURES

- Intel E610-XAT2 / E610-XAIT2 Ethernet Controller
- Support DPDK 25.07 (validated with Intel Release 30.4 driver and NVM 1.3 baseline)
- Support PTP (PHY-based PTP (Driver 30.4 + NVM 1.3 or later))
- SR-IOV support up to 16VFs shared across all ports
- Complies with EN61000-4-2 (ESD) Air-15kV, Contact-8kV
- Lowest power and smallest 10GbE expansion solution
- Tiny daughter board with high speed shielding cable
- Operation temperature -40°C to 85°C support

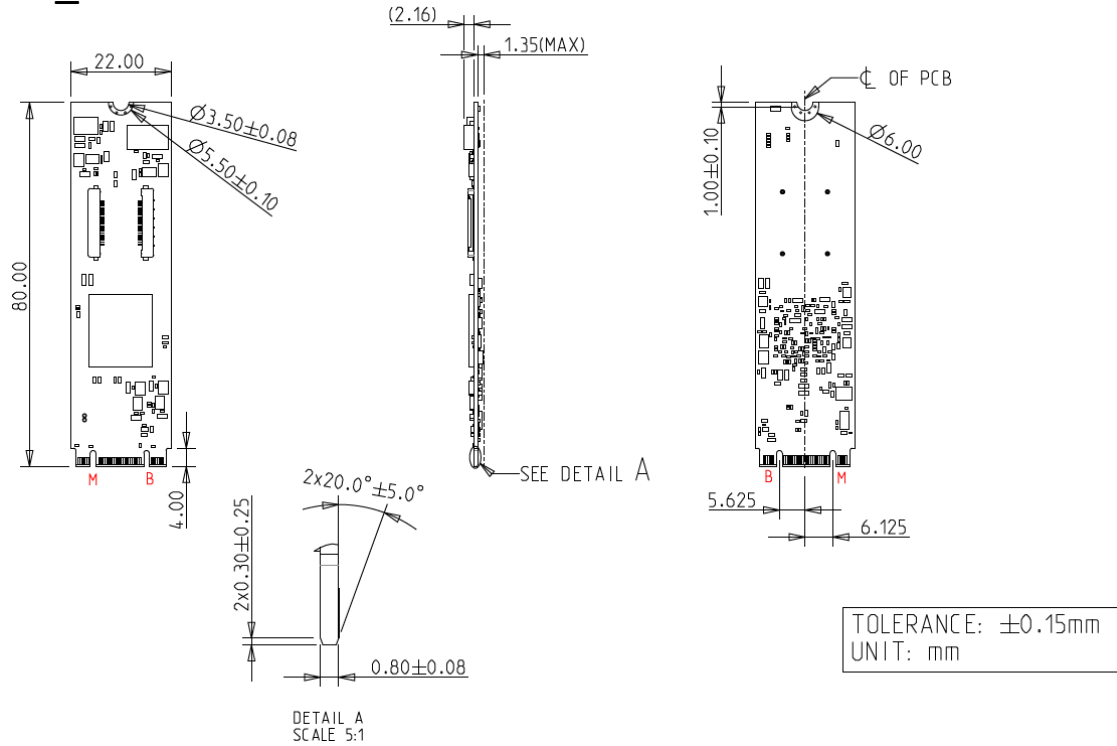
SPECIFICATIONS

Model Name	EGPL-T203
Module Type	M.2 2280 to Dual 10GbE LAN Module
Form Factor	M.2 2280 B+M Key
Function	LAN
Input I/F	PCIe Gen 4 x2
Output I/F	10GbE LAN
Output Port	2
Output Connector	RJ45
Max. Power Consumption	5W (3.3V, 1.5A)
Dimension (W x L x H/mm)	M.2 Board : 22 x 80 x 14.5 Daughter Board : 31.75 x 28 x 17.7
Temperature	Operation : S/T 0 ~ 70°C (Ta) ; W/T -40°C ~ 85°C (Ta) Storage : -55°C ~ 95°C (Ta)
Vibration	5G@[7~2000Hz]
Shock	50G@0.5ms
OS Support	Windows : 11 and above versions Linux : Kernel 6.18 and above versions
Warranty	3 Years
Notes	--

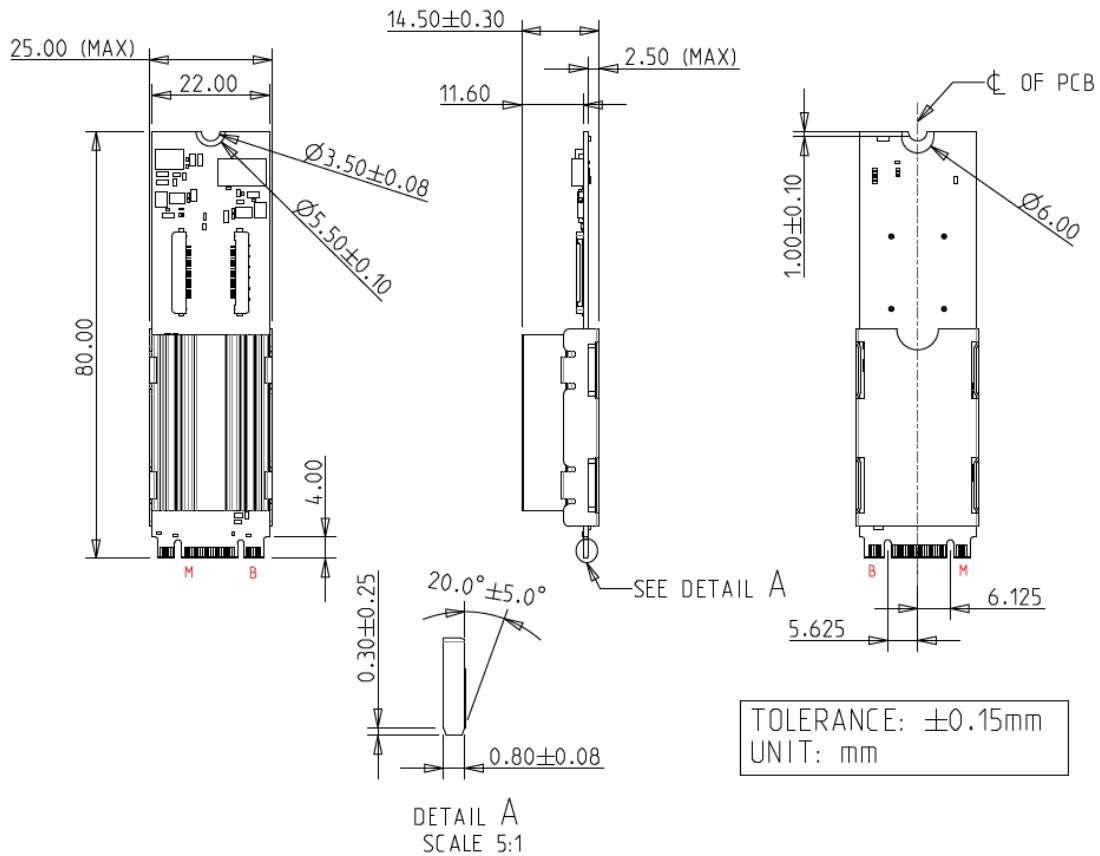
P/N	Description
EGPL-T203-C1	M.2 2280 to Dual 10GbE LAN Module W/STD-BKT
EGPL-T203-C2	M.2 2280 to Dual 10GbE LAN Module W/LOW-BKT
EGPL-T203-W1	M.2 2280 to Dual 10GbE LAN Module WT W/STD-BKT
EGPL-T203-W2	M.2 2280 to Dual 10GbE LAN Module WT W/LOW-BKT

MECHANICAL DRAWING

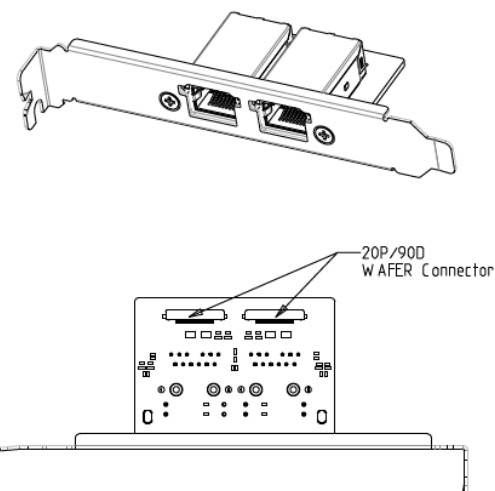
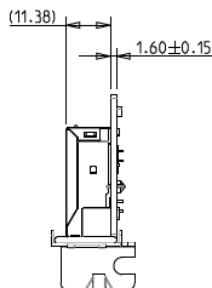
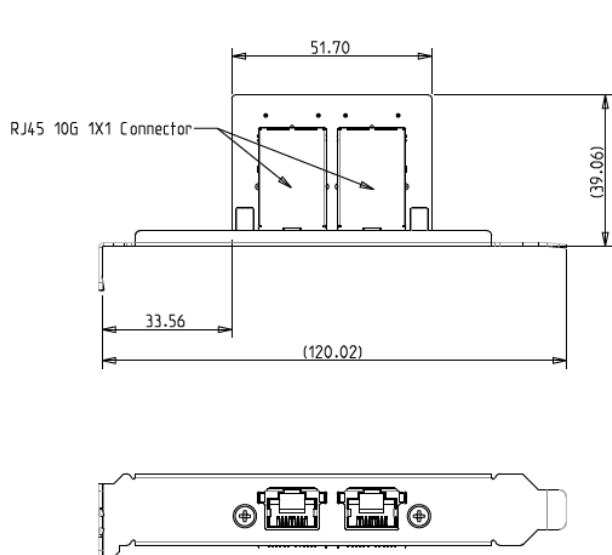
EGPL-T203_PCBA



EGPL-T203_W/Heatsink

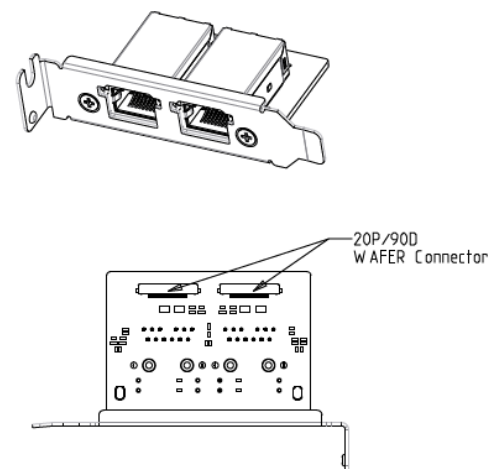
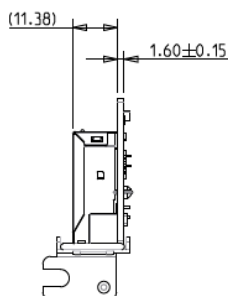
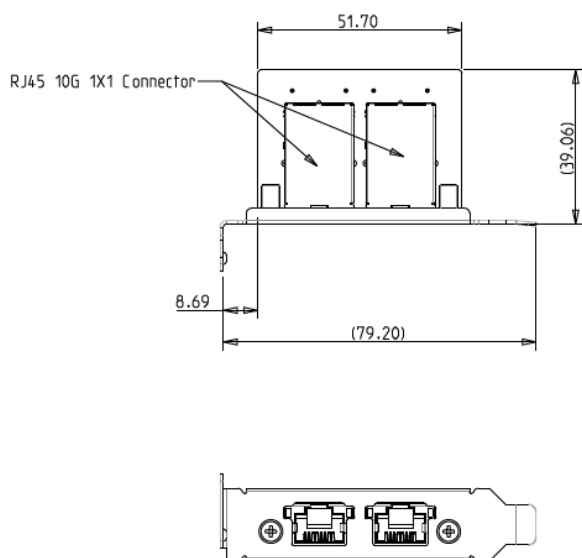


EGPL-T203-C1/W1 W/ Standard Bracket



TOLERANCE: ±0.30mm
UNIT: mm

EGPL-T203-C2/W2 W/Low-profile Bracket



TOLERANCE: ±0.30mm
UNIT: mm

HQ (Taiwan) T +886-2-7703-3000 / E sales@innodisk.com

CN T +86-755-2167-3689 / E sales_cn@innodisk.com

US T +1-510-770-9421 / E usasales@innodisk.com

EU T +31-40-3045-400 / E eusales@innodisk.com

JP T +81-3-6667-0161 / E jp_sales@innodisk.com

innodisk