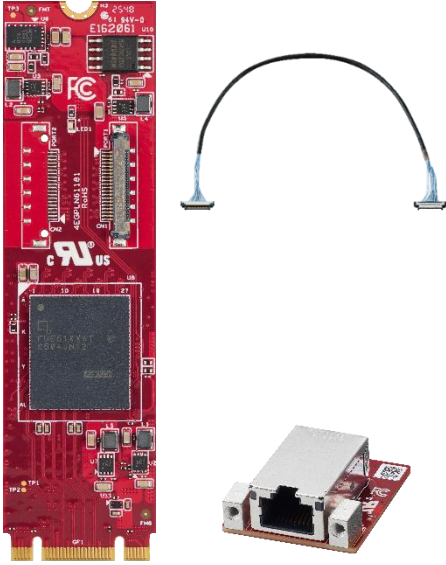


EGPL-T103

M.2 2280 to Single 10GbE LAN Module



HIGHLIGHT FEATURES

- Intel E610-XAT Ethernet Controller
- Support DPDK 25.07 (validated with Intel Release 30.4 driver and NVM 1.3 baseline)
- Support PTP (PHY-based PTP (Driver 30.4 + NVM 1.3 or later)
- SR-IOV support up to 16VFs shared across all ports
- Complies with EN61000-4-2 (ESD) Air-15kV, Contact-8kV
- Lowest power and smallest 10GbE expansion solution
- Tiny daughter board with high speed shielding cable

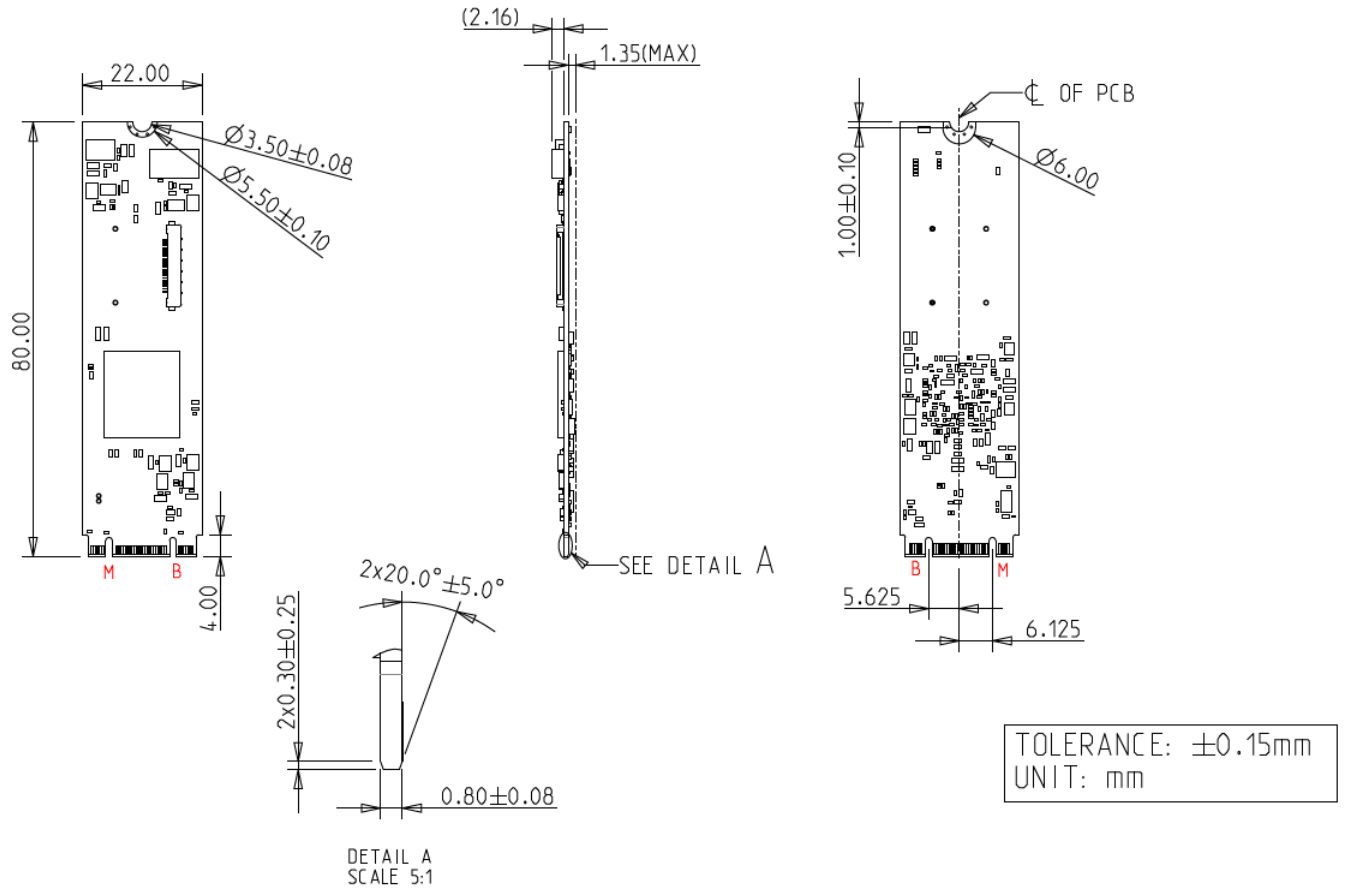
SPECIFICATIONS

Model Name	EGPL-T103
Module Type	M.2 2280 to Single 10GbE LAN Module
Form Factor	M.2 2280 B+M Key
Function	LAN
Input I/F	PCIe Gen 4 x2
Output I/F	10GbE LAN
Output Port	1
Output Connector	RJ45
Max. Power Consumption	3.524W (3.3V, 1068mA)
Dimension (W x L x H/mm)	M.2 Board : 22 x 80 x 14.5 Daughter Board : 31.75 x 28 x 17.7
Temperature	Operation : 0°C ~ 70°C (Ta) Storage : -55°C ~ 95°C (Ta)
Vibration	5G@[7~2000Hz]
Shock	50G@0.5ms
OS Support	Windows : 11 and above versions Linux : Kernel 6.18 and above versions
Warranty	3 Years
Notes	--

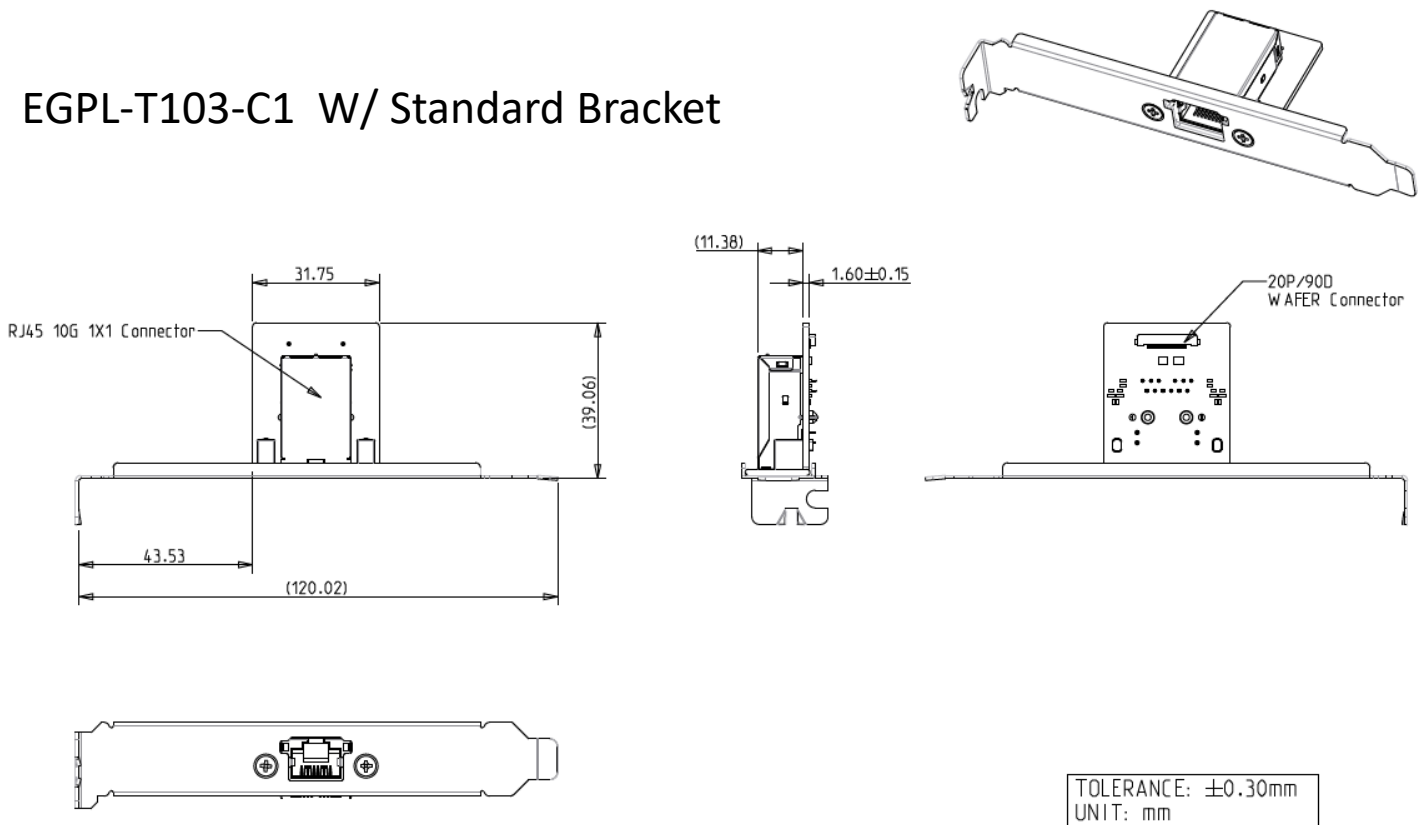
P/N	Description
EGPL-T103-C1	M.2 2280 to Single 10GbE LAN Module W/STD-BKT
EGPL-T103-C2	M.2 2280 to Single 10GbE LAN Module W/LOW-BKT

MECHANICAL DRAWING

EGPL-T103 Main Board

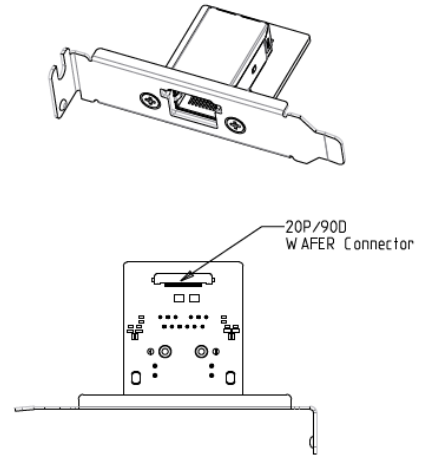
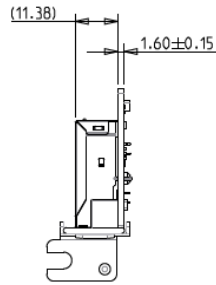
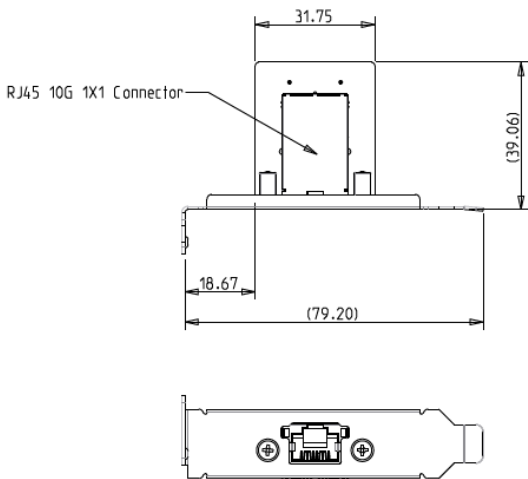


EGPL-T103-C1 W/ Standard Bracket



MECHANICAL DRAWING

EGPL-T103-C2 W/ Low-profile Bracket



TOLERANCE: ±0.30mm
UNIT: mm