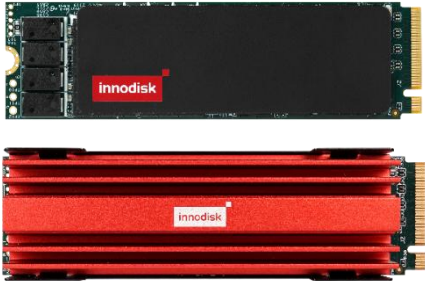


M.2 (P80) 4TG2-P



HIGHLIGHT FEATURES

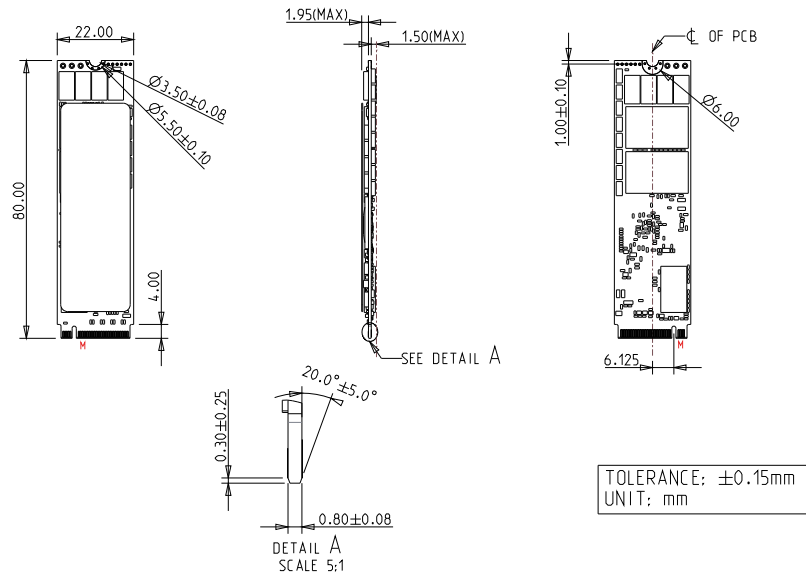
- PCIe Gen 4 x4, NVMe 1.4
- Stable sustained performance
- LDPC ECC engine supported
- 256 bit AES hardware based encryption
- Hybrid write mode with SLC cache enable
- Dynamic Thermal Management
- PLP (iCell) technology

SPECIFICATIONS

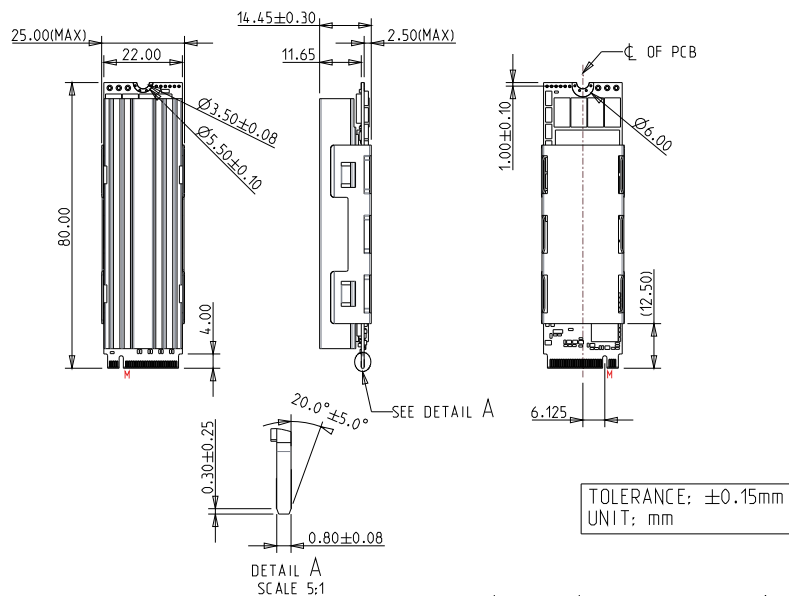
Model Name	M.2 (P80) 4TG2-P
Flash Type	3D TLC
Interface	PCIe Gen 4 x4
Form Factor	M.2 2280 M Key
Capacity	256GB~2TB
Sequential R / W (MB/sec, max.)	6,950 / 4,700
P/E Cycle	3,000
TBW (Max.)	8,444
Storage Temperature	-40°C ~ 85°C
Max. Power Consumption	9.9W
Max. Channels	8
External DRAM Buffer	Y
H/W Write Protect	N
S.M.A.R.T.	Y
AES	Y (Optional)
TCG Opal	Y (Optional)
Dimension (W x L x H/mm)	Pure M.2 : 22.0 x 80.0 x 4.0 S/T with heat-spreading copper layer : 22.0 x 80.0 x 4.5 W/T with heat sink : 25.0 x 80.0 x 14.5
Vibration	20G@[7 ~ 2000Hz]
Shock	1500G@0.5ms
MTBF	>3 million hours
Warranty	3 Years

DIAGRAM

ST



WT



ORDER INFO.

Operating Temperature	Standard Grade (0°C ~ 70°C)	Industrial Grade (-40°C ~ 85°C)
256GB	DGM28-B56DP1KCDQFP	DGM28-B56DP1KWDQFPH
512GB	DGM28-C12DP1KCDEFPP	DGM28-C12DP1KWDEFPH
1TB	DGM28-01TDP1KCDEFPP	DGM28-01TDP1KWDEFPH
2TB	DGM28-02TDP1KCDEFPP	DGM28-02TDP1KWDEFPH

For TCG Opal function, the PN Code 10th ~ 12th will be DP2.

HQ (Taiwan) T +886-2-7703-8000 / E sales@innodisk.com

CN T +86-755-2167-3689 / E sales_cn@innodisk.com

US T +1-510-770-9801 / E usasales@innodisk.com

EU T +31-40-8045-400 / E eusales@innodisk.com

JP T +81-3-6667-0161 / E jp_sales@innodisk.com

innodisk