



## mSATA 3IE7

### HIGHLIGHT FEATURES

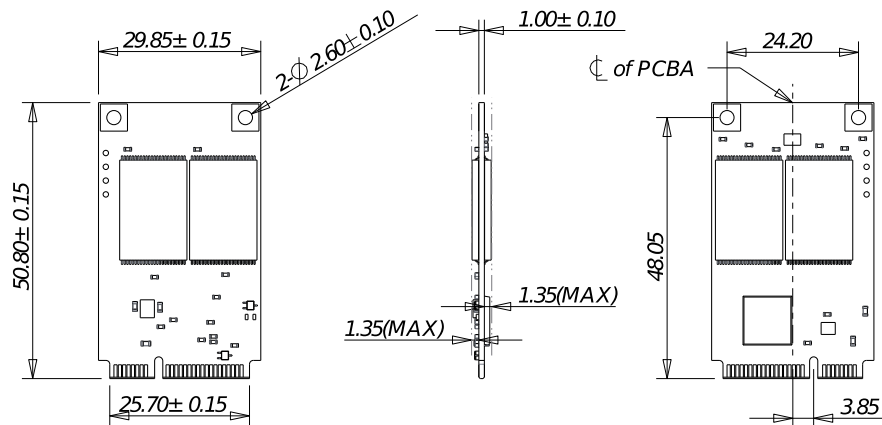
- Up to 100K P/E cycle, extending the lifespan by 33x
- Equipped with 112-layer 3D TLC NAND Flash
- Utilizes Ultra iSLC Technology
- Supports temperatures -40°C to 85°C
- 5-year warranty

### SPECIFICATIONS

<b>Model Name</b>	mSATA 3IE7
<b>Flash Type</b>	iSLC (3D TLC)
<b>Interface</b>	SATA III 6.0 Gb/s
<b>Form Factor</b>	MO-300
<b>Capacity</b>	20GB ~ 640GB
<b>Sequential R / W (MB/sec, max.)</b>	560 / 500
<b>P/E Cycle</b>	30,000 / 100,000
<b>TBW (Max.)</b>	40,000
<b>Storage Temperature</b>	-40°C ~ 85°C
<b>Max. Power Consumption</b>	1.6W
<b>Max. Channels</b>	4
<b>External DRAM Buffer</b>	N
<b>H/W Write Protect</b>	Y (Optional)
<b>S.M.A.R.T.</b>	Y
<b>AES</b>	Y (Optional)
<b>TCG Opal</b>	N
<b>Dimension (W x L x H/mm)</b>	29.85 x 50.8 x 3.7
<b>Vibration</b>	20G@[7 ~ 2000Hz]
<b>Shock</b>	1500G@0.5ms
<b>MTBF</b>	>3 million hours
<b>Warranty</b>	5 Years

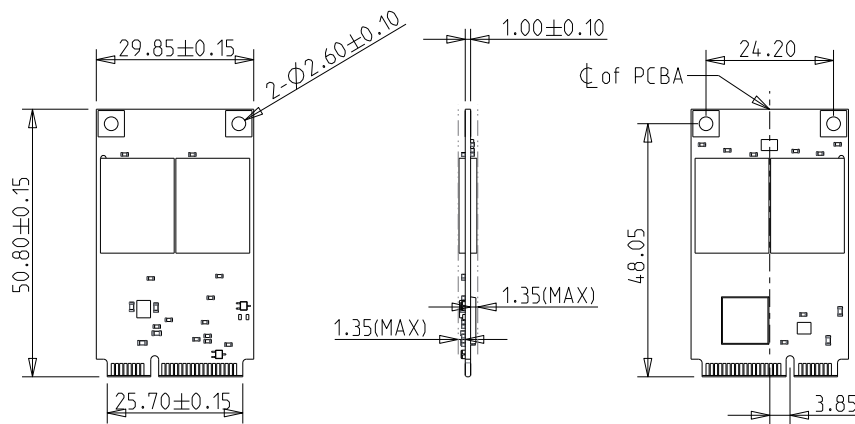
## DIAGRAM

## TSOP



TOLERANCE: ±0.15mm  
UNIT: mm

## BGA



TOLERANCE: ±0.15mm  
UNIT: mm

## ORDER INFO.

Operating Temperature	Standard Grade (0°C ~ 70°C)	Industrial Grade (-40°C ~ 85°C)
20GB	DHMSR-20GDK1EC1DF	DHMSR-20GDK1EW1DF
40GB	DHMSR-40GDK1%C*&F	DHMSR-40GDK1%W*&F
80GB	DHMSR-80GDK1%C*QF	DHMSR-80GDK1%W*QF
160GB	DHMSR-A60DK1%C*QF	DHMSR-A60DK1%W*QF
320GB	DHMSR-D2GDK1%CAQF	DHMSR-D2GDK1%WAQF
640GB	DHMSR-F4GDK1%CAQF	DHMSR-F4GDK1%WAQF

% : E : 64 layers 3D TLC / K : 112 layers 3D TLC

\* : PCB version control

& . S : 1 channel / D : 2 channels / Q : 4 channels

HQ (Taiwan) T +886-2-7703-3000 / E sales@innodisk.com

CN T +86-755-2167-3689 / E sales\_cn@innodisk.com

US T +1-510-770-9421 / E usasales@innodisk.com

EU T +31-40-3045-400 / E eusales@innodisk.com

JP T +81-3-6667-0161 / E jp\_sales@innodisk.com

innodisk