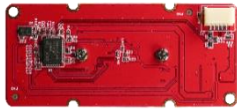


## EV2U-RMR2

USB 2.0 2MP Fixed Focus Camera Module



### HIGHLIGHT FEATURES

- USB 2.0 Interface, 1920 x 1080 @30fps (Max Resolution)
- ISP inside
- Lens FOV (D / H / V) : 86° / 72° / 38°
- OS Support : Windows, Linux, Android, macOS (UVC)
- Compliant to USB 2.0 and USB Video Class
- Complies with CE / FCC Class B

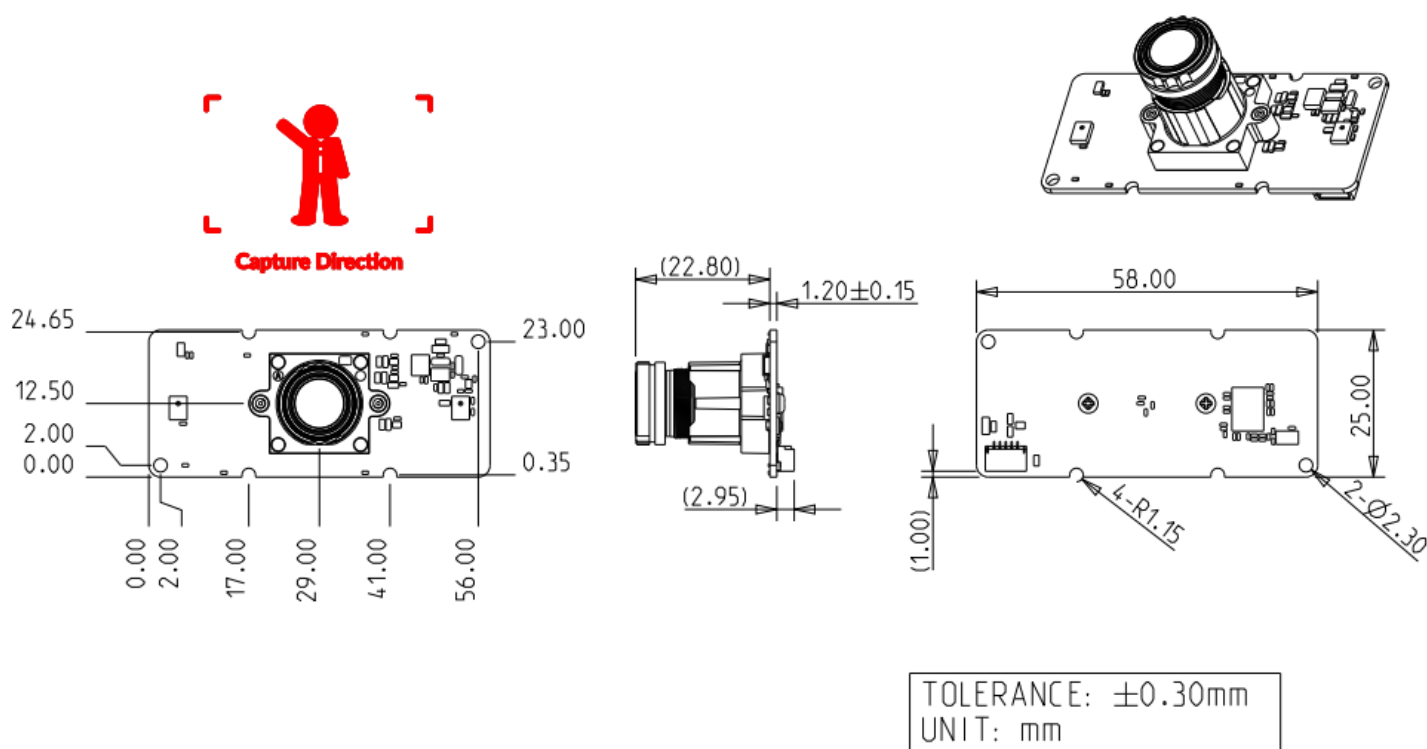
### SPECIFICATIONS

<b>Model Name</b>	EV2U-RMR2
<b>Module Type</b>	USB 2.0 2MP Fixed Focus Camera Module
<b>Resolution (Max.)</b>	1920 x 1080 @30fps
<b>Output I/F</b>	USB 2.0
<b>Shutter</b>	Rolling
<b>Video Format</b>	YUV2, MJPEG
<b>Power Consumption</b>	Approximate 1W (MJPEG @Full Resolution )
<b>Operation Temperature</b>	-20°C ~ 70°C
<b>Sensor Size</b>	1/4"
<b>Pixel Size</b>	2µm
<b>Lens Type</b>	Fixed Focus (M12)
<b>Dimension (W x L x H/mm)</b>	58 x 25 x 22
<b>Lens D / H / V FOV</b>	86° / 72° / 38°
<b>OS / Platform Support</b>	Windows, Linux, Android, macOS
<b>Warranty</b>	3 Years

## ORDER INFO.

P/N	Description
EV2U-RMR2-MMC1-C1	USB 2.0 Fixed Focus Camera Module (USB cable included) Dimension : 58 x 25
EV2U-RMR2-MMC1-C2	USB 2.0 Fixed Focus Camera Module, with DMIC (USB cable included) Dimension : 58 x 25
7W2000000160	USB 2.0 cable 1 meter, 5 pins, pitch 1mm

## MECHANICAL DRAWING

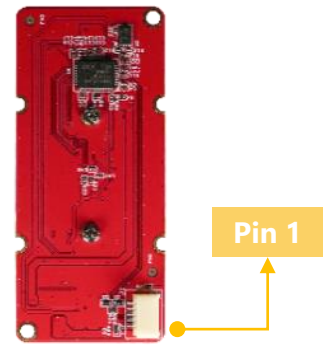


## RESOLUTION MATRIX

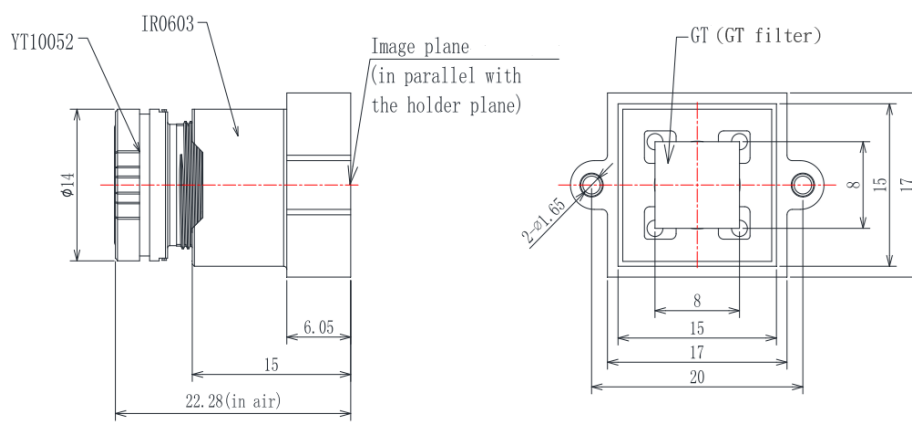
Resolution	YUV422	MJPEG
1920 x 1080	5 fps	30 / 24 / 20 / 15 / 10 / 7 / 5 fps
1280 x 720	10 / 7 / 5 fps	30 / 24 / 20 / 15 / 10 / 7 / 5 fps
1204 x 768	10 / 5 fps	30 / 24 / 20 / 15 / 10 / 7 / 5 fps
960 x 540	20 / 15 / 10 / 7 / 5 fps	30 / 24 / 20 / 15 / 10 / 7 / 5 fps
848 x 480	24 / 20 / 15 / 10 / 7 / 5 fps	30 / 24 / 20 / 15 / 10 / 7 / 5 fps
800 x 600	20 / 15 / 10 / 7 / 5 fps	30 / 24 / 20 / 15 / 10 / 7 / 5 fps
640 x 480	30 / 24 / 20 / 15 / 10 / 7 / 5 fps	30 / 24 / 20 / 15 / 10 / 7 / 5 fps
424 x 240	30 / 24 / 20 / 15 / 10 / 7 / 5 fps	30 / 24 / 20 / 15 / 10 / 7 / 5 fps
320 x 288	30 / 24 / 20 / 15 / 10 / 7 / 5 fps	30 / 24 / 20 / 15 / 10 / 7 / 5 fps
320 x 240	30 / 24 / 20 / 15 / 10 / 7 / 5 fps	30 / 24 / 20 / 15 / 10 / 7 / 5 fps
320 x 180	30 / 24 / 20 / 15 / 10 / 7 / 5 fps	30 / 24 / 20 / 15 / 10 / 7 / 5 fps

## CONNECTOR PIN ASSIGNMENT

Pin #	Pin Name	Description
1	DCC	+5V
2	D-	Data-
3	D+	Data+
4	GND	Ground
5	NC	NC



## LENS SPEC.



Items	Specification
F No.	2.2
Focal Length	3.2mm
Lens Structure	1G3P
Mount	M12 x P0.5 (S-Mount)

## CABLE APPEARANCE



HQ (Taiwan) T +886-2-7703-3000 / E sales@innodisk.com

CN T +86-755-2167-3689 / E sales\_cn@innodisk.com

US T +1-510-770-9421 / E usasales@innodisk.com

EU T +31-40-3045-400 / E eusales@innodisk.com

JP T +81-3-6667-0161 / E jp\_sales@innodisk.com

**innodisk**